



### Features

- All-in-one panel PC style with 15" touch display
- Power efficient Intel® Celeron J1900 QC 2.0GHz (PT6100) and high performance Intel® Core™ i5-4570TE 2.7GHz (PT6500)
- Fanless system with aluminum enclosure design (PT6100)
- IP64 water and dust proof protection for front panel
- Stylish and rimless flat panel design with VESA mount supporting
- Optional built-in VFD or 8" / 15" customer display
- 5V/12V DC powered COM with jumper-less BIOS setting
- Easy installation and maintenance for HDD and CF / CFast card slot
- Optional 1D/2D barcode scanner, MSR, smart card, Mifare RFID, iButton or fingerprint reader devices

### Specification

Model		PT6100	PT6500
Display	LCD Display Size	15" TFT LCD	
	Max. Resolution	1024 X 768	
	Brightness / Support Color	350 cd/m <sup>2</sup> , 16.2M/ 262K colors	
	Backlight	LED	
Touch Panel	Type	Five-wire analog resistive type or projected capacitive touch	
Processor	CPU / Chipset	Intel® Celeron J1900 QC 2.0GHz	Intel® Core™ i5-4570TE 2.7GHz
			Intel® Core™ i3-4330TE 2.4GHz
			Intel® Pentium-G3320TE 2.3GHz
			Intel® Celeron G1820TE 2.2GHz
Memory		X 1 (DDR3L 1333MHz SO-DIMM, up to 8GB)	X 1 (DDR3 1600MHz SO-DIMM, up to 8GB)
Storage		X 1 (2.5" SATAIII HDD), X 1 CFast	X 1 (2.5" SATAIII HDD) , X 1 CFast
I/O Connectors	USB 3.0	X 1	X 2
	USB 2.0	X 4	X 2
	PS/2	X 1 (for Keyboard)	
	Powered COM	X 4 (D-type 9 pins powered COM with DC 5V/ 12V selection)	X 2 (D-type 9 pins powered COM with DC 5V/ 12V selection)
	Cash Drawer Port	X 1 (12V RJ11 cash drawer port)	
	LAN	X 1 (RJ45, 10/100/1000 Base-T)	
	Parallel	X 1 (optional, alternative to COM3)	X 1 (optional)
	VGA	X 1	
	Audio Port	X 1 Line-out, X 1 Mic-in, X 1 Speaker	
Optional Peripherals	VFD / 8"/15" second display / MSR / iButton / RFID / 1D/2D barcode scanner / fingerprint reader		
Power Supply	90W or 150W power adapter		150W power adapter
OS Support	WS7E / POSReady 7 / Windows Embedded 8.1 Industry Pro / Win10 IoT Enterprise		
Environment	Temperature	Operation	32° to 95° F (0° to 35° C)
		Storage	-4° to 140° F (-20° to 60° C)
	Relative Humidity	20% to 80% non-condensing	
Chassis Housing	Aluminum		
Dimension (W x H x D)	323.6 x 264.2 x 368 mm		

Specifications subject to change without notice.

# PT6000 Series

All-in-One 15" POS Terminal with Stylish and Rimless Flat Panel Design



IP64 water & dust-proof front panel protection



Optional 1D/2D barcode scanner

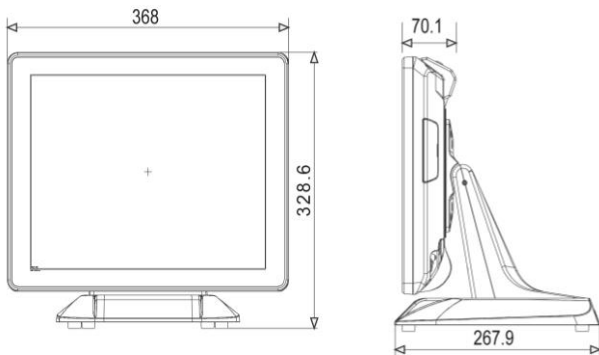


Small footprint and compact design



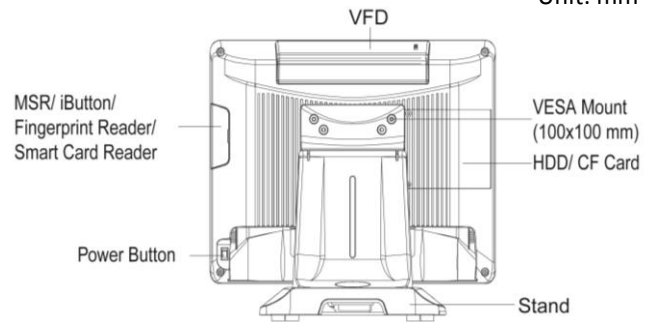
Optional MSR, smart card, Mifare RFID, iButton or fingerprint reader devices

## Mechanical Layout / Drawing

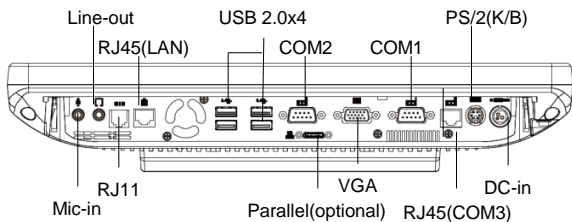


### I/O Interface

Unit: mm



### PT6300



### PT6500

